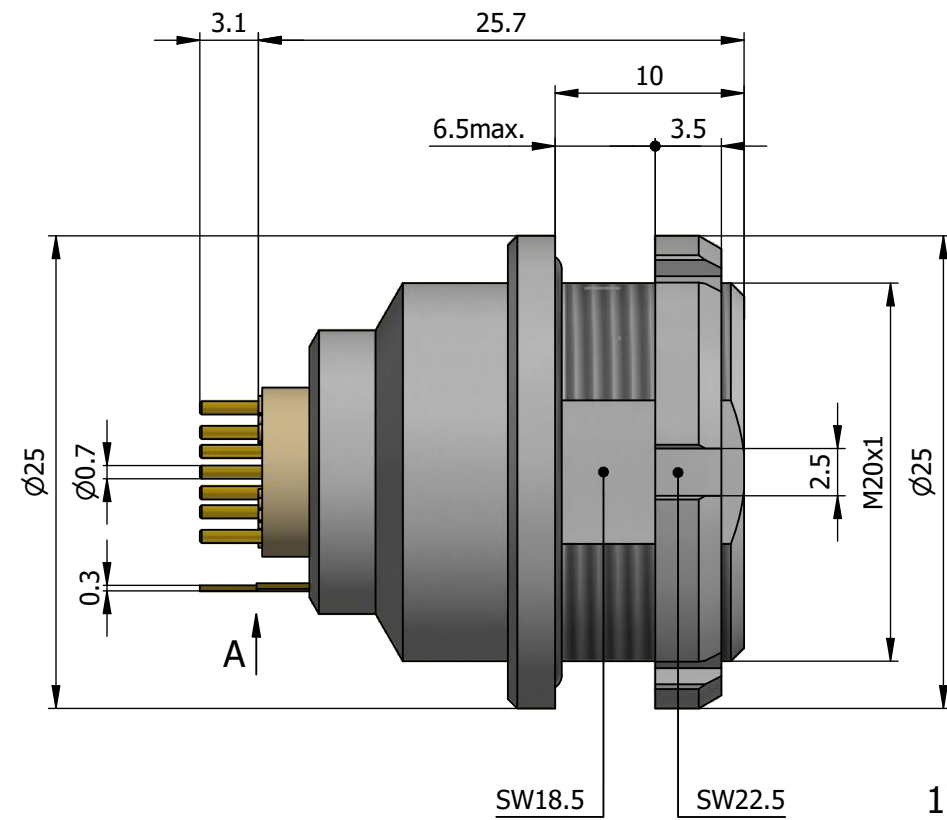
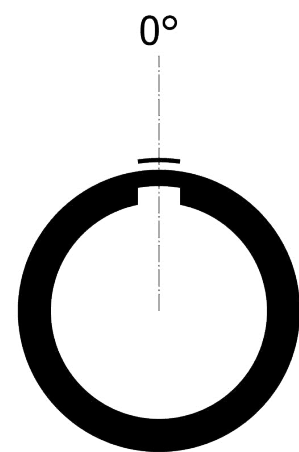
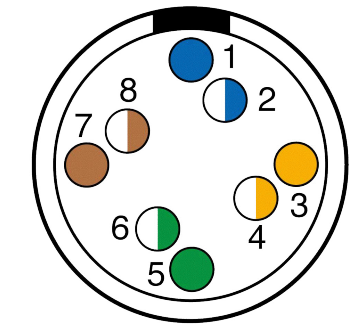


All dimensions are in millimeters (mm)

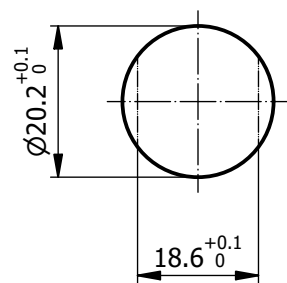
Alignment Key  
Front View



Insert Configuration  
Rear View

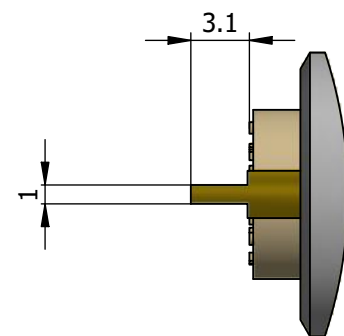


Recommended Panel Cut-Out

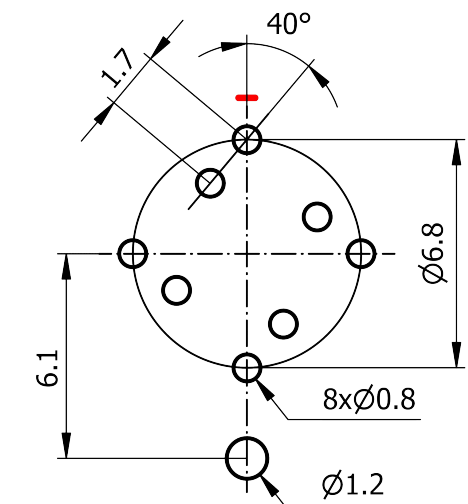


Mounting nut torque (Nm)  
Metal shell = 9.0

View A



Recommended PCB Layout  
PCB Top View



**Note:**

1) This picture is generic and for illustrative purposes only, and may show different keying, materials, colour, finish, and contact configuration. Minor shape or feature variations to actual item may be present.

All additional information are documented on the datasheet (See below link or QR Code)  
[www.lemo.com/pdf/EAG.2K.514.CLN.pdf](http://www.lemo.com/pdf/EAG.2K.514.CLN.pdf)

Model Alignment Key Series Insert Config. Housing Insulator Contact Variant  
**EAG.2K.514.CLN**

 Datasheet	<b>Fixed socket, earthing tag, nut fixing, for PCB (back panel mounting)</b> Series 2K		Drawn 02.11.2022 MARI/MARI
			Checked 02.11.2022 OBAR
			Modified 00 02.11.2022/MARI
			DO NOT SCALE DRAWING
 LEMO SA Chemin des Champs-Courbes 28 1024 Ecublens - SWITZERLAND		Tel. (+41 21) 695 16 00 email : info@lemo.com www.lemo.com	CD
			<b>EAG.2K.514.CLN</b>