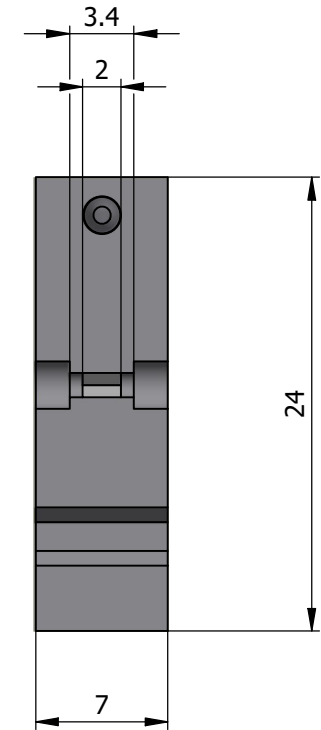
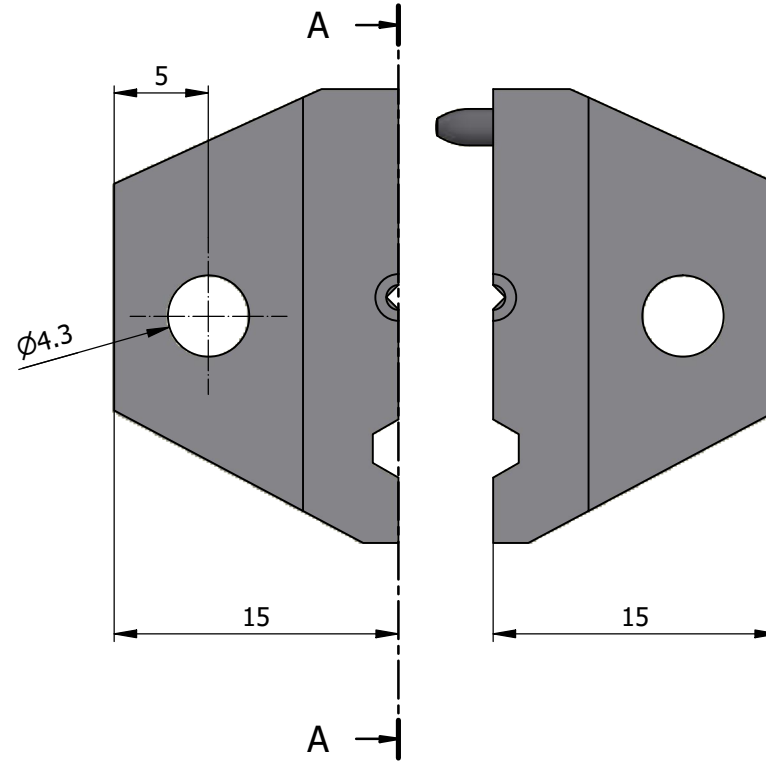
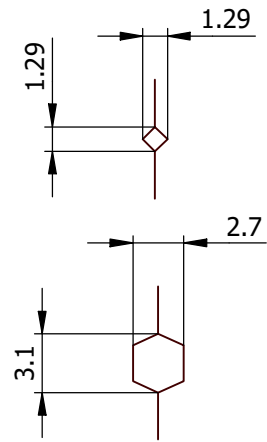
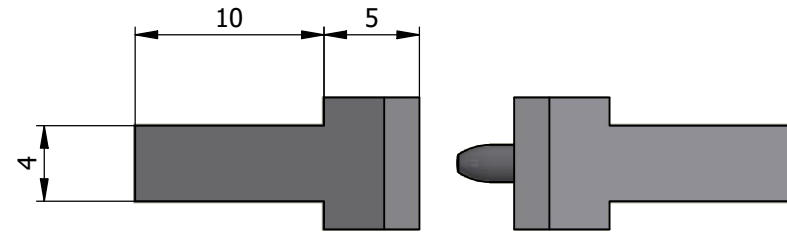
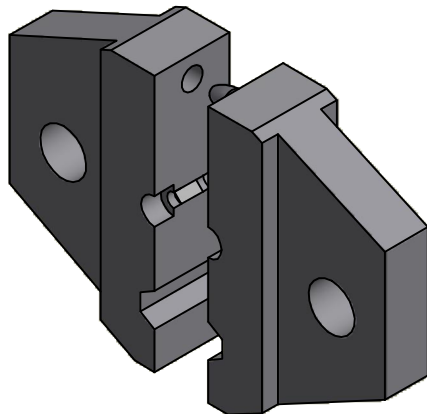


All dimensions are in millimeters (mm)

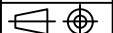


Coupe A-A



Crimping dies sub-assembly

For DPE.99.000.00

Drawn	03.10.2025	JMIG/OBAR
Checked	03.10.2025	OBAR
Modified	00	03.10.2025/JMIG
 DO NOT SCALE DRAWING		



LEMO

LEMO SA
Chemin des Champs-Courbes 28
1024 Ecublens - SWITZERLAND

Tel. (+41) 21 695 16 00
email : info@lemo.com
www.lemo.com

CD

DPN.99.123.1K