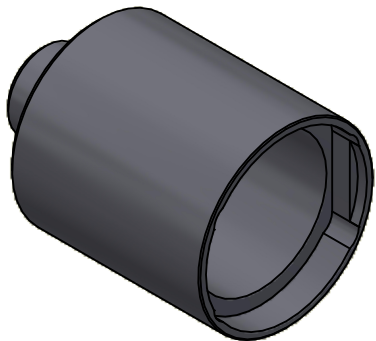
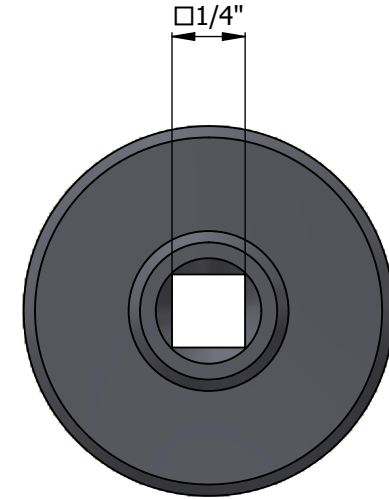
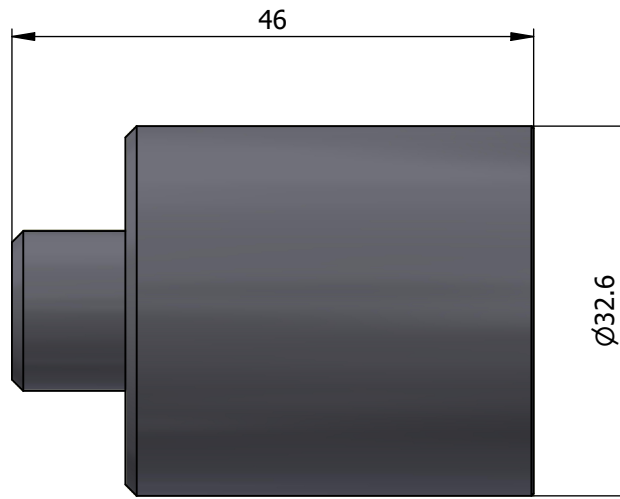
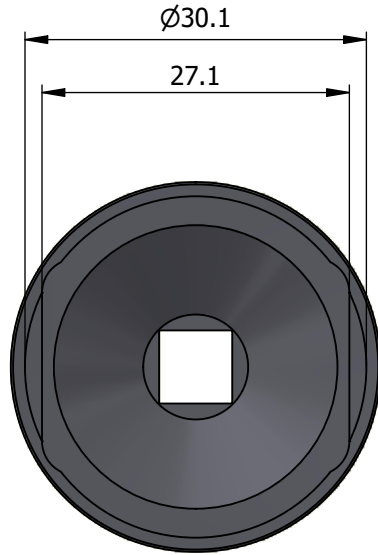

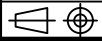



All dimensions are in millimeters (mm)



All additional information are documented on the datasheet (See below link or QR Code)  
[www.lemo.com/pdf/DCM.65.270.AZ.pdf](http://www.lemo.com/pdf/DCM.65.270.AZ.pdf)

<p>Datasheet</p> 	<p><b>Torque wrench bit</b> for conical nuts 3E, 4B, 4S</p>		Drawn	06.05.2021	MARI/OBAR
			Checked	03.09.2024	OBAR
	Modified	03	03.09.2024/MARI		
	 DO NOT SCALE DRAWING				
 <p>LEMO SA Chemin des Champs-Courbes 28 1024 Ecublens - SWITZERLAND</p>		<p>Tel. (+41 21) 695 16 00 email : info@lemo.com www.lemo.com</p>	CD	<p><b>DCM.65.270.AZ</b></p>	