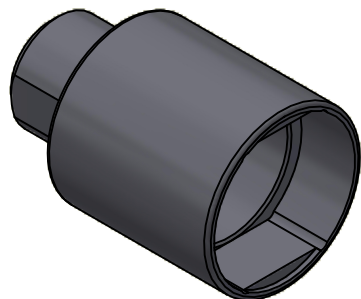
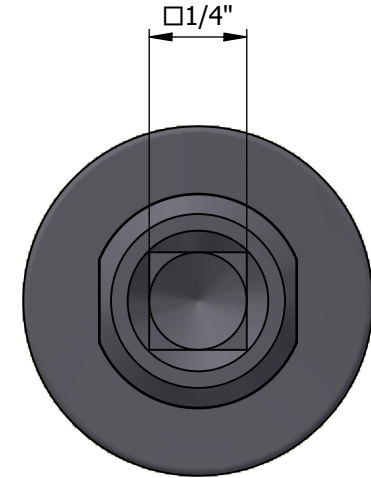
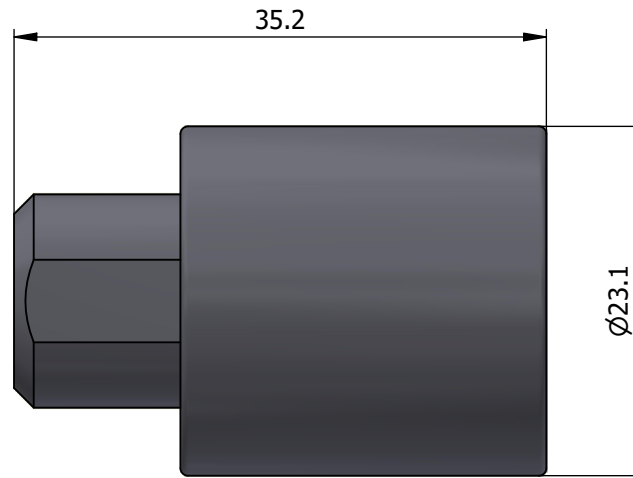
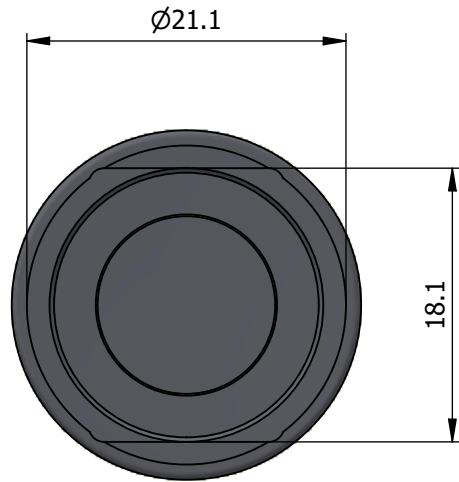


All dimensions are in millimeters (mm)



All additional information are documented on the datasheet (See below link or QR Code)
www.lemo.com/pdf/DCM.65.180.AZ.pdf

Datasheet



Torque wrench bit
 for conical nuts 2M



LEMO SA
 Chemin des Champs-Courbes 28
 1024 Ecublens - SWITZERLAND

Tel. (+41 21) 695 16 00
 email : info@lemo.com
 www.lemo.com

Drawn	16.11.2023	MARI/OBAR
-------	------------	-----------

Checked	16.11.2023	OBAR
---------	------------	------

Modified	00	16.11.2023/MARI
----------	----	-----------------

	DO NOT SCALE DRAWING
--	----------------------

CD

DCM.65.180.AZ