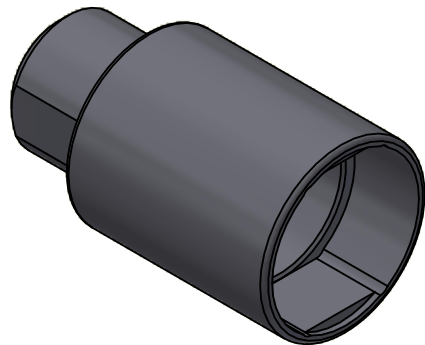
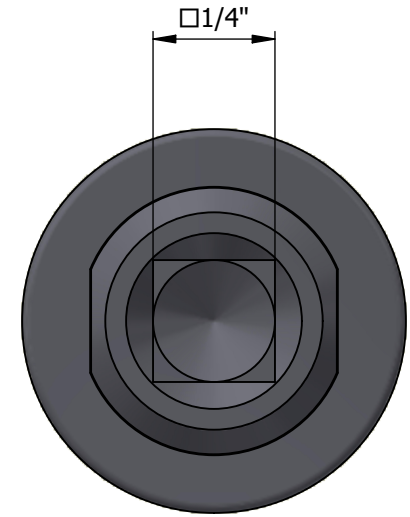
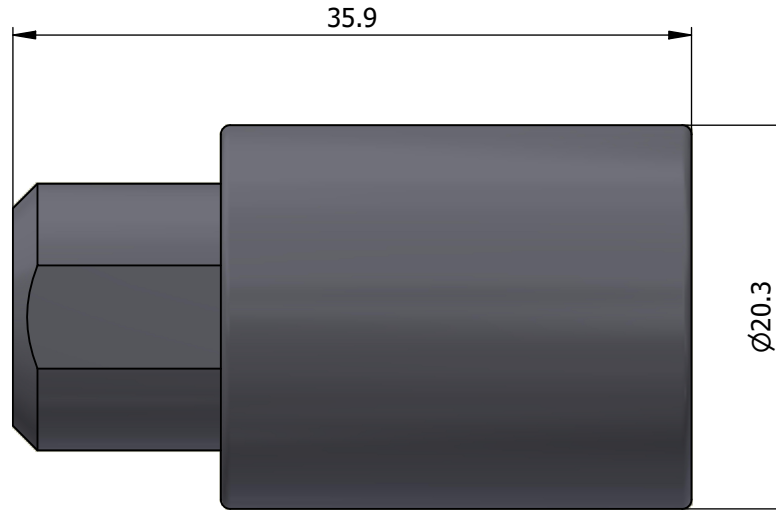
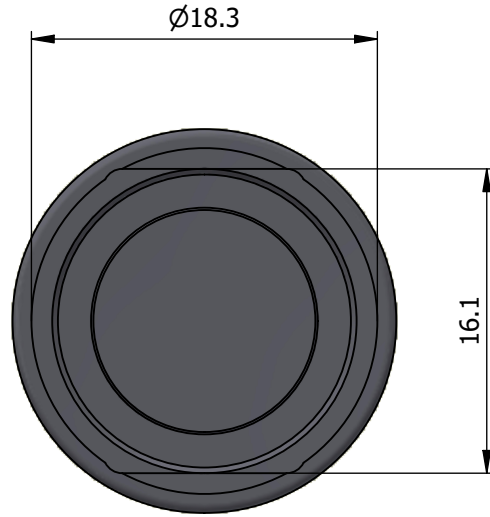


All dimensions are in millimeters (mm)



All additional information are documented on the datasheet (See below link or QR Code)  
[www.lemo.com/pdf/DCM.65.160.AZ.pdf](http://www.lemo.com/pdf/DCM.65.160.AZ.pdf)



**Torque wrench bit**  
 for conical nuts 1M



LEMO SA  
 Chemin des Champs-Courbes 28  
 1024 Ecublens - SWITZERLAND

Tel. (+41 21) 695 16 00  
 email : info@lemo.com  
 www.lemo.com

CD

Drawn	16.11.2023	MARI/OBAR
Checked	16.11.2023	OBAR
Modified	00	16.11.2023/MARI
DO NOT SCALE DRAWING		

**DCM.65.160.AZ**