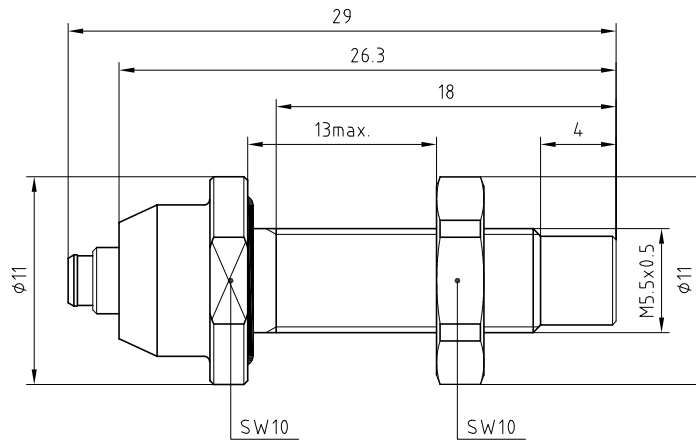


Redel DTZ



Coelver FGG.01

Adaptor,
Redel DTZ - Coelver FGG.01.
Series 01, FO vacuumtight 01/D

ETUDE N° A0012

Echelle —	Dessiné	02.04.2019	OVU / NHA
	Contrôle	02.04.2019	NHA / ATVI
	Modif.	00	02.04.2019/ OVU



LEMO

LEMO SA
Chemin des Champs-Courbes 28
1024 Ecublens - SWITZERLAND

Tel. (+41 21) 695 16 00
email : info@lemo.com
www.lemo.com

ACR.01.DA1.ACSVV