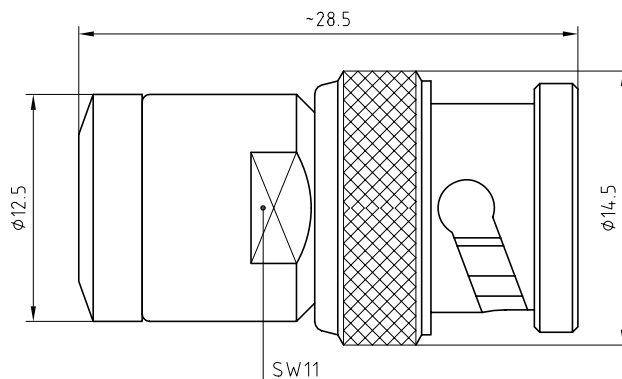


LEMO



BNC

Plug shell	: Brass (UNS C38500)	Nickel plated (FS-QQ-N-290A)
Earthing crown	: Cu-Be (UNS C17300)	Gold plated (ISO 4523)
Socket shell	: Brass (UNS C38500)	Nickel plated (FS-QQ-N-290A)
Retaining ring	: Brass (UNS C38500)	Nickel plated (FS-QQ-N-290A)
Insulators	: PTFE	-
Female-male contact	: Cu-Be (UNS C17300)	Gold plated (ISO 4523)

Adapter
 Socket LEMO - Plug BNC
 Series 0A , coaxial (75Ω)

ETUDE N° E948

Echelle —	Dessiné	17.04.07	OVU / RMO
	Contrôle	17.04.07	RMO / CDE
	Modif.	00	17.04.07 / OVU



LEMO

CH-1024 Ecublens

ABA.0A.275.NTL